

P.A. AMPLIFIERS

DESK TOP AMPLIFIERS



SA-18



SA-30

SA-18

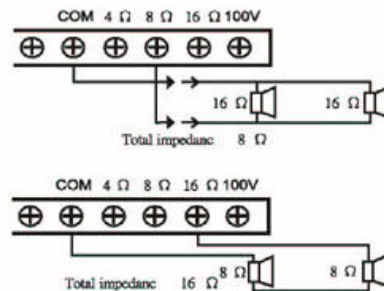
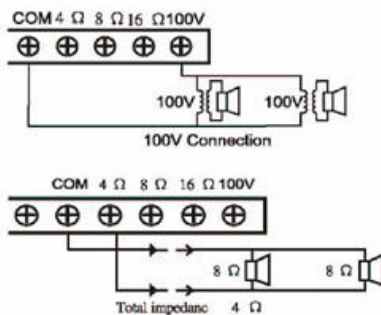
- Metal front panel.
- Two high sensitivity unbalanced MICROPHONE inputs.
- One high sensitivity PHONO jack input and one low sensitivity AUX/CD RCA jack input with selective switch on the rear panel.
- Power supply in both DC and AC. 4Ω, 8Ω, 16Ω, 100V Output.

SA-30

- Metal front panel.
- Two high sensitivity unbalanced MICROPHONE inputs.
- One high Sensitivity PHONO jack input and one low sensitivity AUX RCA jack input with selective switch on the rear panel.
- Mic-1 priority output control on the rear panel.
- Three 150Hz 1kHz, 6kHz frequency equalizer control.
- 4Ω, 8Ω, 16Ω, 100V output.

OUTPUT CONNECTION SPEAKER OUTPUT

The amplifier may be used in conjunction with a speaker rated at 4, 8, 16Ω or with 100-volt constant voltage speaker system.



	SA-18	SA-30
Power output:	18W (RMS)	30W (RMS)
Distortion (at 1W Aux):	<0.5%	<0.5%
Power supply:	AC 115V/230V, DC12V	Only AC 115V/230V
Output(Ω):	4, 8, 16Ω	4, 8, 16Ω
Output(V):	100V	100V
Frequency response:	50Hz ~ 20kHz	50Hz ~ 20kHz
Input/sensitivity:	MIC -48±2dB MIC 2 -48±2dB Phone -48±2dB AUX -12±2dB	MIC -55±2dB MIC 2 -55±2dB Phone -55±2dB AUX -20±2dB
S/N ratio:	>55dB	>55dB
Dimensions (W×D×H):	320×190×75mm (12.6"×7.5"×3")	320×190×75mm (12.6"×7.5"×3")
Weight:	5kg (11.02 lb)	5kg (11.02 lb)